

# 4MP Dual-spectrum Thermal Network Bullet Camera

TIC2621SR-F3-4F4AC-VD



## Key Features



- Thermal & Optical dual-spectrum image, dual video with single IP address, adaptable to more various scenes
- 1/1.8" target surface, high sensitivity sensor, satisfy the need of starlight monitoring
- Support picture-in-picture mode, real-time contrast live, more convenient and clear
- Support audio and light alarm, with red and blue warning lights built in
- Ultra 265, H.265, H.264, MJPEG
- Max 2688\*1520@30fps in the optical module and Max 720P@30fps in the thermal module
- DC12V±25% or PoE power supply
- Alarm 2 in and 2 out, Audio 1 in and 1 out, Micro SD, up to 256 GB

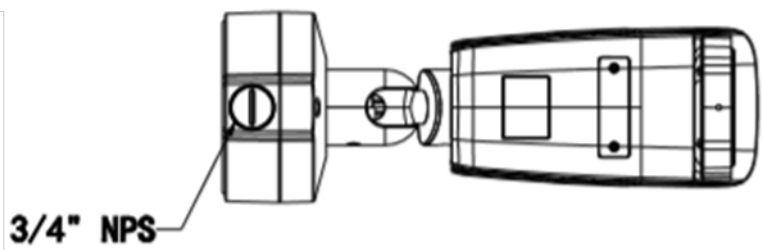
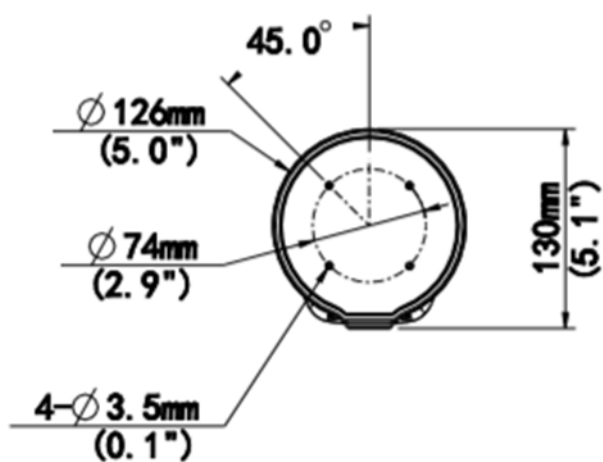
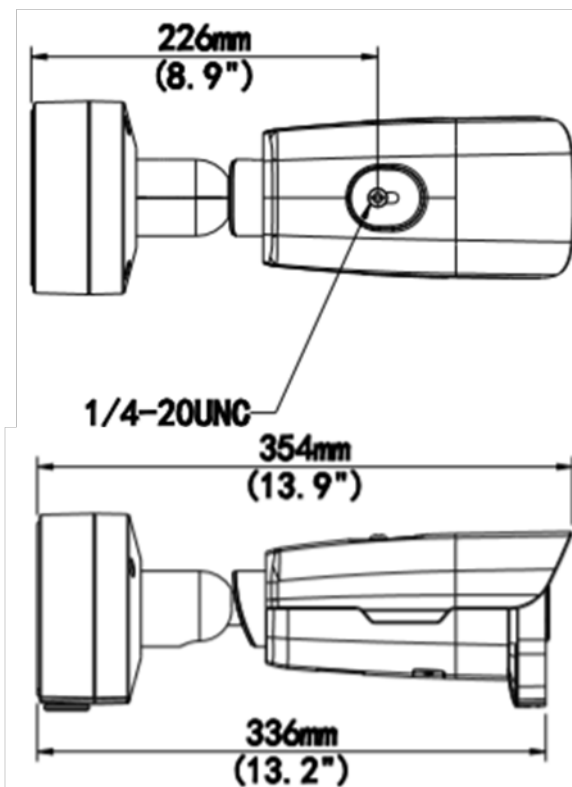
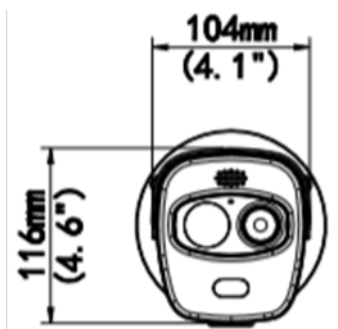
## Specifications

	TIC2621SR-F3-4F4AC-VD
<b>Thermal Module</b>	
Sensor type	Vanadium Oxide Uncooled Focal Plane Arrays
Original Resolution	256*192
Angle of View(H*V)	57.0°~42.0°
Video Resolution	720P(1280*720), Max 30fps
Response waveband	8~14μm
Pixel size	12μm
IFOV	3.75mrad
NETD	≤55mk @f/1.0 @25°C
Lens(focal length)	3.2mm@F1.1
Palette	Up to 20 palettes of optional color, including: white hot, lava, iron oxide red, hot iron, medical, arctic, rainbow 1, rainbow 2, rainbow 3, depict hot, ice hot, black hot, mazarine, fusion, red hot, green hot, color 1, color 2, rain, puce
<b>Optical Module</b>	
Sensor	1/1.8", 4.0 megapixel, progressive scan, CMOS
Lens	4mm@F1.6
Iris	Fixed aperture
Angle of View(H*V)	89.9°~49.1°
Video Resolution	4MP(2688*1520), Max 30fps
Shutter	Auto/Manual, 1 ~ 1/100000s
Min. Illumination	Colour:0.001lux (F1.6, AGC ON) B/W: 0.0005lux(F1.6,AGC ON) 0 lux with IR
WDR	120dB
Day/Night	IR-cut filter with auto switch (ICR)
IR Range	Up to 50m (164 ft) IR range
Wavelength	850nm
IR On/Off Control	Auto/Manual
BLC	Supported
<b>Event</b>	
Audio and light alarm	Support audio and light warning function, with red and blue warning lights built in
Basic Detection	optical module :Motion detection, Audio detection, Tampering alarm thermal module : Audio detection
General Function	Watermark, IP Address Filtering, Alarm input, Alarm output, Access Policy, ARP Protection, RTSP Authentication, User Authentication
<b>Video</b>	
Compression	Ultra265, H.265, H.264, MJPEG
Video Stream	Triple streams
OSD	Up to 8 OSDs
Privacy Mask	Up to 8 areas per scene
<b>Audio</b>	
Audio Compression	G.711U,G.711A
Two-way audio	Supported, Built in mic and speaker

Sampling Rate	8kHz
<b>Storage</b>	
Edge Storage	Micro SD, up to 256 GB
Network Storage	ANR
<b>Network</b>	
Protocols	IPv4, IGMP, ICMP, ARP, TCP, UDP, DHCP, PPPoE, RTP, RTSP, RTCP, DNS, DDNS, NTP, FTP, UPnP, HTTP, HTTPS, SMTP, 802.1x, SNMP, QoS,
Compatible Integration	ONVIF (Profile S, Profile G, Profile T)
Web Browser	Plug-in required live view: IE9+, Chrome 41 and below, Firefox 52 and below
<b>Interface</b>	
Audio I/O	1/1
Alarm I/O	2/2
Serial Port	1 RS485
Network	1 x RJ45 10M/100M Base-TX Ethernet
<b>General</b>	
Power	DC12V(±25%), PoE(IEEE802.3af)
	Power consumption: Max 12W
	Support reverse polarity protection, Overvoltage and overcurrent protection , Input short circuit protection
Dimensions (Ø x H)	Φ354mm x 104mm x 116mm(Φ13.9" x 4.1" x 4.6")
Weight	1.85kg(4.08lb)
Temperature detection working environment	-10°C ~+50°C(-14°F ~ 122°F) , Humidity: ≤95% RH (non-condensing)
Working Environment	-40°C~70°C(-40°F ~ 158°F), Humidity: ≤95% RH (non-condensing)
Ingress Protection	IP67
Vandal Resistant	N/A

\*Product performance is based on testing in a controlled environment. Your results may vary due to several external and environmental factors.

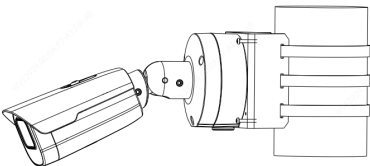
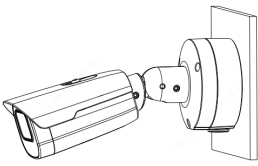
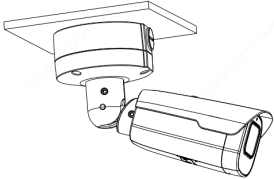
Dimensions



## Accessories

TR-UP06-C-IN



Pole Mount	Wall mount
TR-UP06-C-IN	/
	
Pendent mount	
/	
	

**Zhejiang Uniview Technologies Co., Ltd.**

Building No.10, Wanlun Science Park, Jiangling Road 88, Binjiang District, Hangzhou, Zhejiang, China (310051)

Email: [overseasbusiness@uniview.com](mailto:overseasbusiness@uniview.com); [globalsupport@uniview.com](mailto:globalsupport@uniview.com)

<http://www.uniview.com>

©2021-2022 Zhejiang Uniview Technologies Co., Ltd. All rights reserved.

\*Product specifications and availability are subject to change without notice.